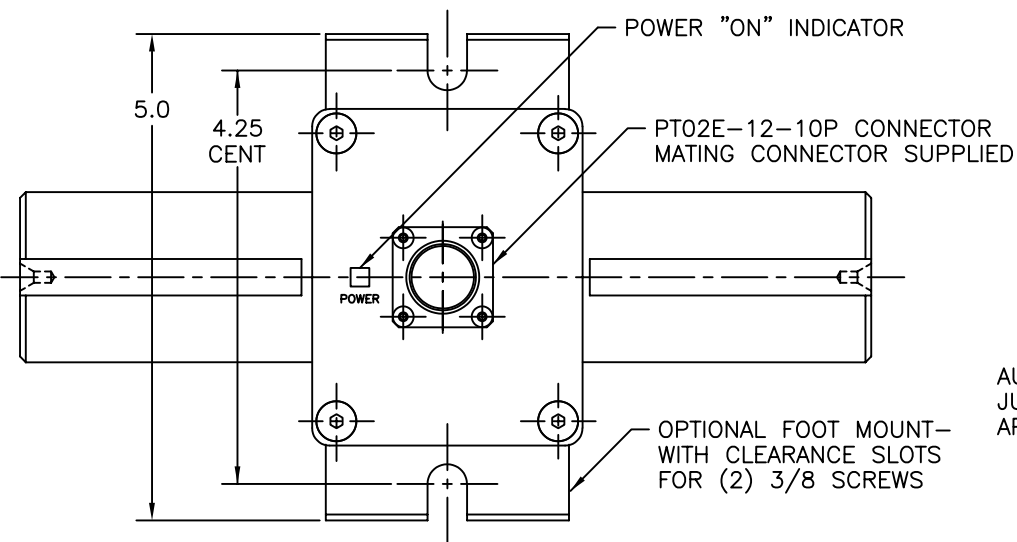


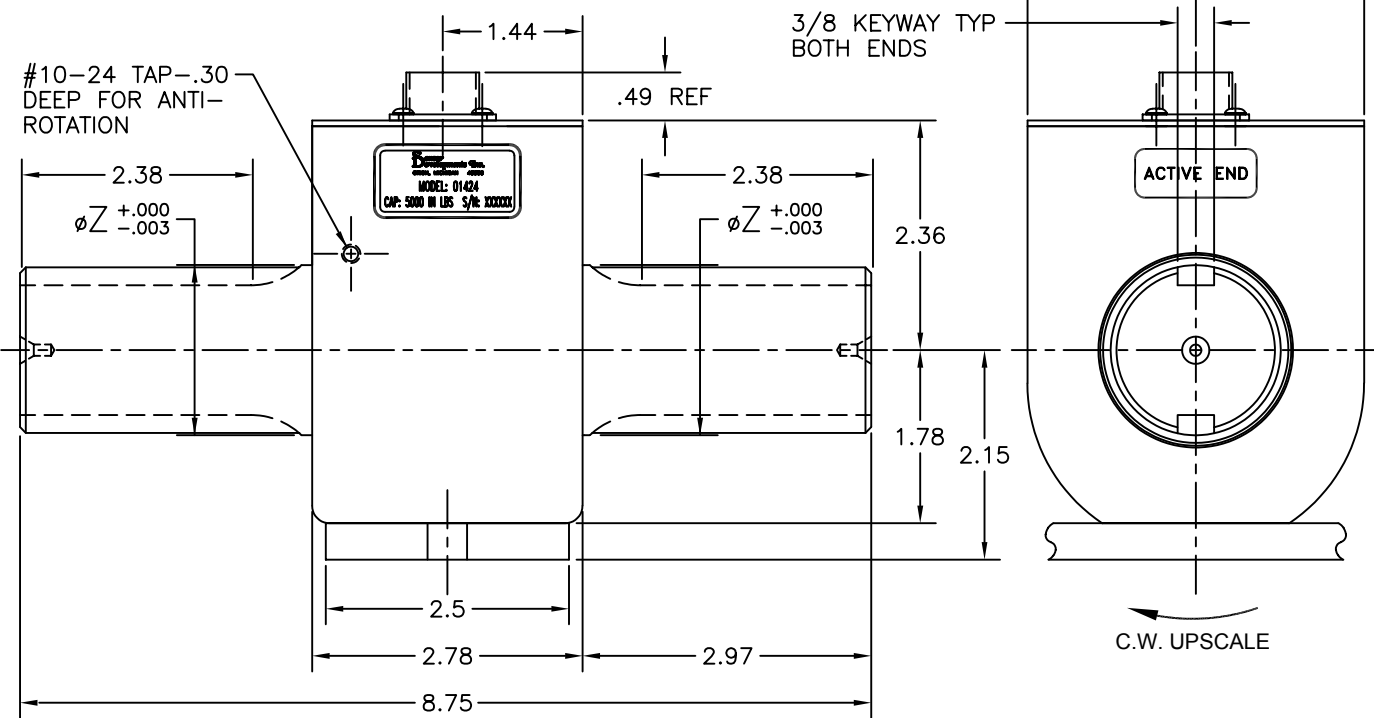
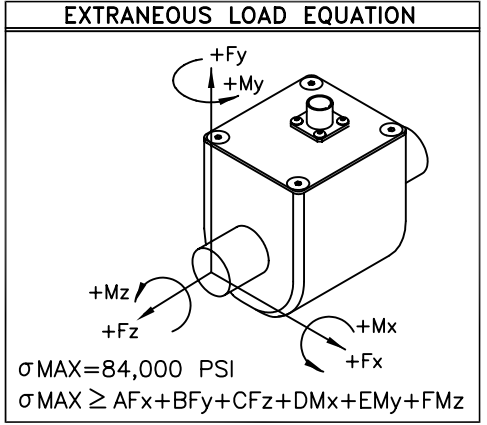
MODEL NO.	CAPACITY	EXTRANEOUS LOAD COEFFICIENTS				TORSIONAL SPRING RATE (IN#/RADx10 <sup>6</sup> )	φZ
		A&B	C	D&E	F		
01424-053	5,000 IN. LBS.	18.5	1.2	9.2	4.6	1.4	1.499
01424-014	10,000 IN. LBS.	9.2	.8	4.6	2.3	3.5	
01424-153	15,000 IN. LBS.	6.2	.6	3.1	1.5	6.0	
01424-024	20,000 IN. LBS.	4.6	.5	2.3	1.2	8.8	

REV	DESCRIPTION	BY	DATE	CHK	ENG	REL DATE
-	REL. FOR PRODUCTION	-	-	-	-	-



PIN CODE	
PIN	FUNCTION
A	+12 - +15V
B	+ SIG.
C	- SIG. (COM)
D	GND
E	GND
F	+5V
G	CW LEAD
H	CW TRAIL
J	GND
K	SIG

TORQUE -  
ENCODER -  
AUTO ID/SHUNT JUMPER TO APPLY SHUNT



**SPARE**  
 Distributed by: Spare S.r.l.  
 Via Carlo Spagnolo, 4 - 27057 Varzi - Pavia - Italy  
 tel. +39-0383-54.51.51 - fax: +39-0383-54.50.51  
 http://www.spare.it - http://www.spareonweb.com  
 e-mail: sales@spare.it

**SPECIFICATIONS MODEL: 01424-XXX-GXBXX**  
 CAPACITY \_\_\_\_\_ CHARTED  
 OUTPUT @ F.S. (V NOM.) \_\_\_\_\_ ±5 OR 10  
 NON-LINEARITY (%F.S.O.) \_\_\_\_\_ .10  
 HYSTERESIS (%F.S.O.) \_\_\_\_\_ .10  
 BRIDGE RESISTANCE (OHM NOM.) \_\_\_\_\_ 1,000  
 OVERLOAD (TORQUE) \_\_\_\_\_ 150% F.S.  
 MAX RPM \_\_\_\_\_ 7,500  
 OPTIONAL POSITION ENCODER:  
 TYPE \_\_\_\_\_ OPTICAL ENCODER  
 RESOLUTION \_\_\_\_\_ 1500 PULSES/REV W/QUADRATURE

ASSEMBLY DWG REF: 19919D0-\*  
 \*-INDICATES CURRENT REV

INSTALLATION		CHECKED BY	
MODEL: 01424-XXX-GXBXX		PROJ. ENG.	
FINISH	SCALE FULL	DRAWN BY GMC	
MATRL.		DATE 8-10-06	
UNLESS OTHERWISE SPECIFIED DIM'S ARE IN INCHES X.X ±.03 X.XX ±.01 X.XXX ±.005 ANG. ±.5°		D.E. REVIEW	
		BY DATE	
Sensor Developments Inc. ORION, MI 48359		DRAWING NUMBER	
		19920C0-0	