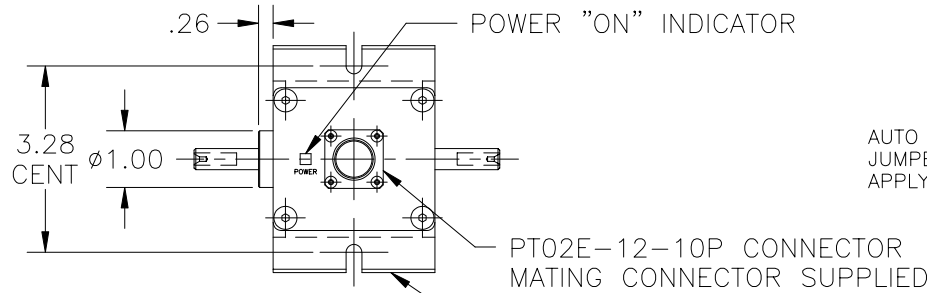
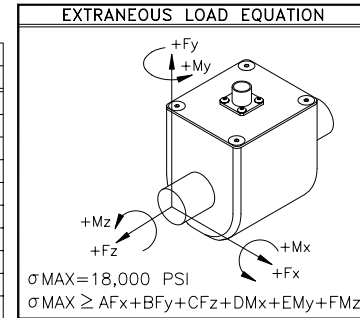


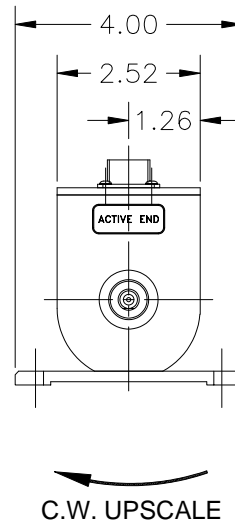
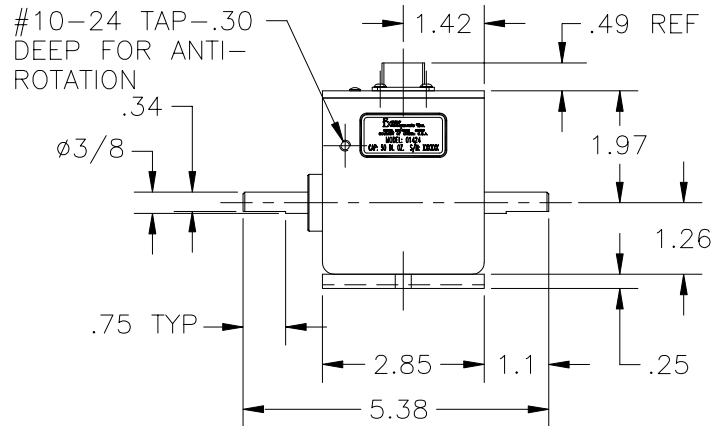
MODEL NO.	CAPACITY		EXTRANEOUS LOAD COEFFICIENTS				TORSIONAL SPRING RATE (IN#/RAD)
			A&B	C	D&E	F	
01424-030	3.125 IN. LBS.	50 IN. OZ.	1,030	56.7	223	4,300	182
01424-060	6.25 IN. LBS.	100 IN. OZ.	678	26.1	102	2,060	556
01424-120	12.5 IN. LBS.	200 IN. OZ.	435	18	70.5	997	1,660
01424-310	31.25 IN. LBS.	500 IN. OZ.	214	10.9	42.7	380	7,120
01424-620	62.5 IN. LBS.	1000 IN. OZ.	104	7.3	28.5	175	22,900

REV	DESCRIPTION	BY	DATE	CHK	ENG	REL DATE
A	PWR INPUT SPECS ADDED	GMC	6-16-06			- -

PIN CODE	
PIN	FUNCTION
A	+12 - +15V
B	+ SIG.
C	- SIG. (COM)
D	GND
E	GND
F	+5V
G	CW LEAD
H	CW TRAIL
J	GND
K	SIG



OPTIONAL FOOT MOUNT—  
WITH CLEARANCE SLOTS  
FOR (2) 1/4 SCREWS



**SPECIFICATIONS** MODEL: 01424-XXX-GX0XX  
 CAPACITY \_\_\_\_\_ CHARTED  
 OUTPUT @ F.S. (V NOM.) \_\_\_\_\_ ±5 OR 10  
 NON-LINEARITY (%F.S.O.) \_\_\_\_\_ .10  
 HYSTERESIS (%F.S.O.) \_\_\_\_\_ .10  
 OVERLOAD (TORQUE) \_\_\_\_\_ 150% F.S.  
 MAX RPM \_\_\_\_\_ 10,000  
 MAX TEMP RANGE \_\_\_\_\_ -40° TO +185°F  
 POWER INPUT (REGULATED) \_\_\_\_\_ 12-15VDC  
 POWER INPUT (ABSOLUTE MIN/MAX) \_\_\_\_\_ 11-15.75 VDC  
 CURRENT DRAW (MAX) \_\_\_\_\_ 350mA  
**POSITION ENCODER:**  
 TYPE \_\_\_\_\_ OPTICAL ENCODER  
 RESOLUTION \_\_\_\_\_ 512 OR 1024 PULSES/REV W/QUADRATURE  
 ASSEMBLY DWG REF: 19848D0-\*  
 \*-INDICATES CURRENT REV

INSTALLATION		CHECKED BY	R.W.
MODEL: 01424-XXX-GX0XX		PROJ. ENG.	R.W.
FINISH	SCALE 1/2	DRAWN BY	GMC
MATRL.		DATE	2-14-06
UNLESS OTHERWISE SPECIFIED DIM'S ARE IN INCHES X.X ±.03 X.XX ±.01 X.XXX ±.005 ANG. ±.5°		D.E. REVIEW	
Sensor Developments Inc. 1050 W SILVER BELL RD ORION, MI 48359		BY	DATE
		DRAWING NUMBER 19850B0-A	



**Distributed by: Spare S.r.l.**  
 Via Carlo Spagnolo, 4 - 27057 Varzi - Pavia - Italy  
 tel. +39-0383-54.51.51 - fax: +39-0383-54.50.51  
 http://www.spare.it - http://www.spareonweb.com  
 e-mail: sales@spare.it