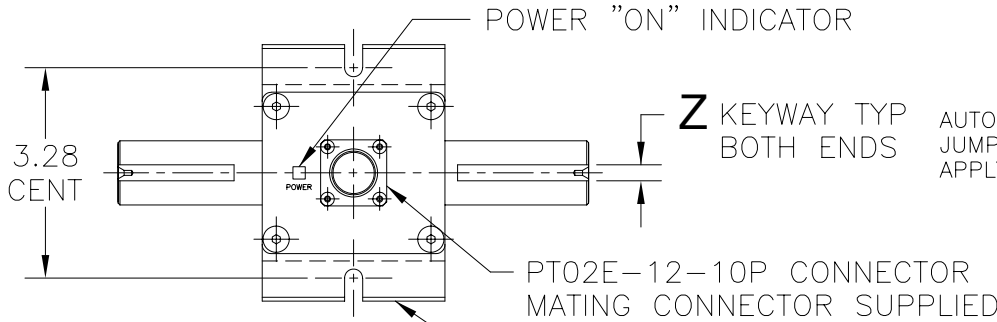
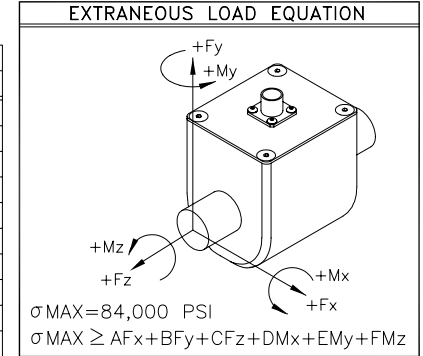


MODEL NO.	CAPACITY	EXTRANEOUS LOAD COEFFICIENTS				TORSIONAL SPRING RATE (IN#/RAD×10 ³)	øY	Z NOM.
		A&B	C	D&E	F			
01424-012	100 IN. LBS.	724	79.5	517	431	6.9	.749	3/16
01424-022	200 IN. LBS.	363	31.6	259	216	17.3		
01424-052	500 IN. LBS.	145	9.3	103	86.1	59		
01424-013	1000 IN. LBS.	72.3	3.8	51.7	43.1	149	.999	1/4
01424-152	1500 IN. LBS.	55.1	2.8	37.4	33.6	281		
01424-023	2000 IN. LBS.	35.9	2.4	25.7	21.4	378		

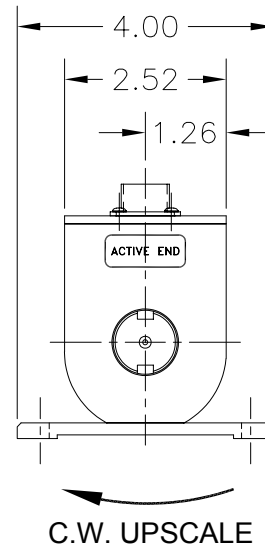
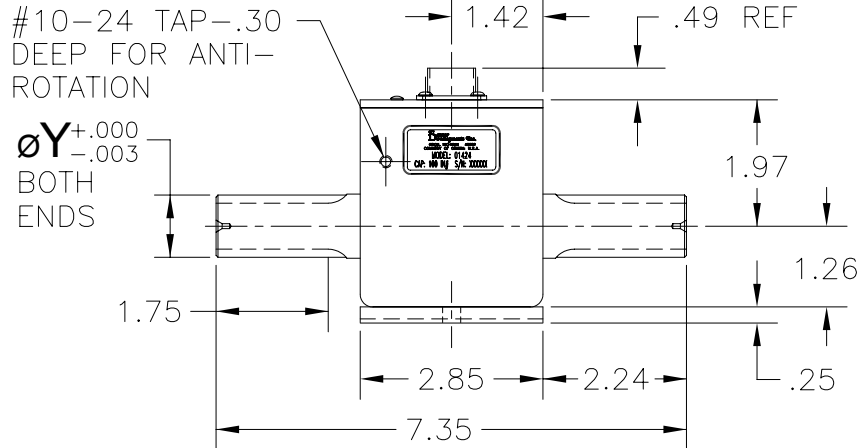
REV	DESCRIPTION	BY	DATE	CHK	ENG	REL DATE
A	PWR INPUT SPECS ADDED	GMC	6-16-06			- -

PIN CODE	
PIN	FUNCTION
A	+12 - +15V
B	+ SIG.
C	- SIG. (COM)
D	GND
E	GND
F	+5V
G	CW LEAD
H	CW TRAIL
J	GND
K	SIG



ENCODER
AUTO ID/SHUNT
JUMPER TO
APPLY SHUNT

OPTIONAL FOOT MOUNT-
WITH CLEARANCE SLOTS
FOR (2) 1/4 SCREWS



SPECIFICATIONS MODEL: 01424-XXX-GX0XX
 CAPACITY _____ CHARTED
 OUTPUT @ F.S. (V NOM.) _____ ±5 OR 10
 NON-LINEARITY (%F.S.O.) _____ .10
 HYSTERESIS (%F.S.O.) _____ .10
 OVERLOAD (TORQUE) _____ 150% F.S.
 MAX RPM _____ 10,000
 MAX TEMP RANGE _____ -40° TO +185°F
 POWER INPUT (REGULATED) _____ 12-15VDC
 POWER INPUT (ABSOLUTE MIN/MAX) _____ 11-15.75 VDC
 CURRENT DRAW (MAX) _____ 350mA
 POSITION ENCODER:
 TYPE _____ OPTICAL ENCODER
 RESOLUTION _____ 512 OR 1024 PULSES/REV W/QUADRATURE
 ASSEMBLY DWG REF: 19819D0-*
 *-INDICATES CURRENT REV

INSTALLATION		CHECKED BY
MODEL: 01424-XXX-GX0XX		R.W.
FINISH		PROJ. ENG. R.W.
SCALE 1/2		DRAWN BY GMC
MATRL.		DATE 2-14-06
UNLESS OTHERWISE SPECIFIED DIM'S ARE IN INCHES X.X ±.03 X.XX ±.01 X.XXX ±.005 ANG. ±.5°		D.E. REVIEW
BY		DATE
Sensor Developments Inc. 1050 W SILVER BELL RD ORION, MI 48359		DRAWING NUMBER
		19821B0-A



Distributed by: Spare S.r.l.
 Via Carlo Spagnolo, 4 - 27057 Varzi - Pavia - Italy
 tel. +39-0383-54.51.51 - fax: +39-0383-54.50.51
 http://www.spare.it - http://www.spareonweb.com
 e-mail: sales@spare.it