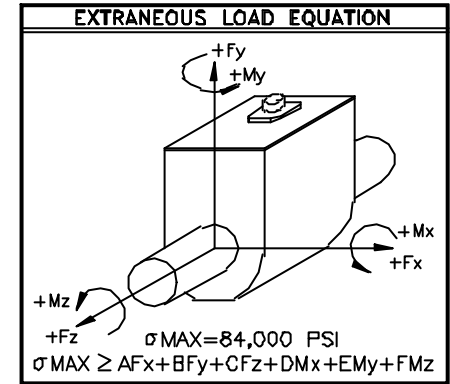


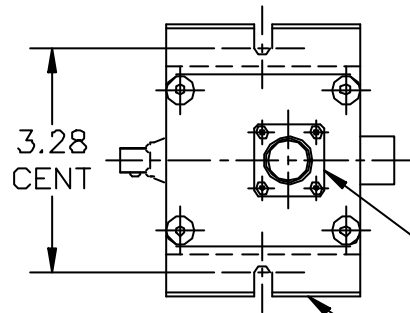
MODEL NO.	CAPACITY	OUTPUT mV/V	EXTRANEOUS LOAD COEFFICIENTS				TORSIONAL SPRING RATE (IN#/RAD×10 ³)	X	Y	Z	SIZE
			A&B	C	D&E	F					
01325-051	50 IN#	2.0	2,410	57.1	1,020	854	2.6	3.75	.38	3.5	1/4"
01325-121	125 IN#	2.0	1,130	22.9	409	341	3.0				
01325-022	200 IN#	1.5									
01325-062	600 IN#	3.0	489	8.9	187	156	9.0	3.97	.48	3.6	3/8"
01325-152	1500 IN#										
01325-242	2400 IN#	3.0	154	3.8	51.4	42.8	43.8	4.25	.58	3.7	1/2"

REV	DESCRIPTION	BY	DATE	CHK	ENG	REL DATE
-	REL. FOR PRODUCTION	-	-	-	-	-

PIN CODE	
PIN	FUNCTION
A	+ EXC.
B	- EXC.
C	+ SIG.
D	- SIG.
E	GND
F	+5V
G	CW LEAD
H	CW TRAIL
J	GND
K	SIG



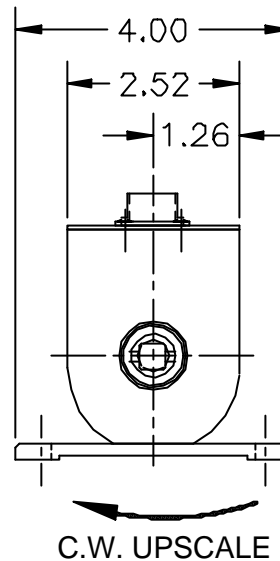
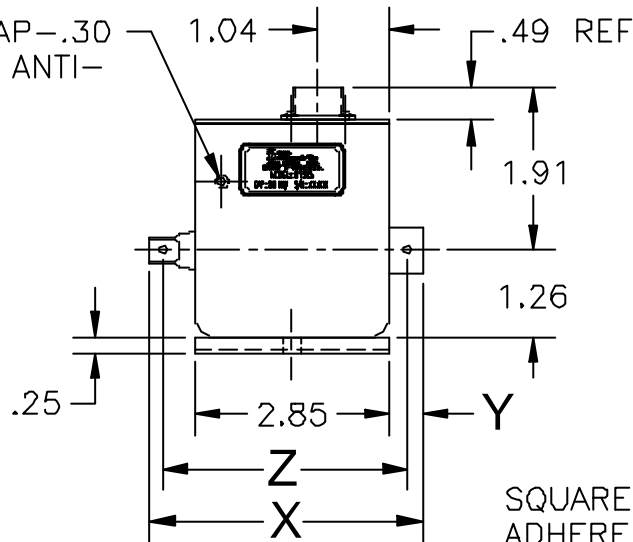
ENCODER
AUTO ID



PT02E-12-10P CONNECTOR
MATING CONNECTOR SUPPLIED

OPTIONAL FOOT MOUNT-
WITH CLEARANCE SLOTS
FOR (2) 1/4 SCREWS

#10-24 TAP-.30
DEEP FOR ANTI-
ROTATION



SQUARE DRIVING & SPINDLE ENDS
ADHERE TO ANSI B107.4-1982

SPECIFICATIONS MODEL: 01325-XXX-GA0XX

CAPACITY _____ CHARTED
OUTPUT @ F.S. (mV/V NOM.) _____ CHARTED
NON-LINEARITY (%F.S.O.) _____ .10
HYSTERESIS (%F.S.O.) _____ .10
BRIDGE RESISTANCE (OHM NOM.) _____ 1000
OVERLOAD (TORQUE) _____ 150% F.S.
MAX RPM _____ 5,000
MAX TEMP RANGE _____ -40° TO +185°F
POSITION ENCODER:

TYPE _____ OPTICAL ENCODER
RESOLUTION _____ 1024 PULSES/REV W/QUADRATURE
ASSEMBLY DWG REF: 18988DO-*
*-INDICATES CURRENT REV

INSTALLATION		CHECKED BY	
MODEL: 01325-XXX-GA0XX		PROJ. ENG.	
FINISH	SCALE 1/2	DRAWN BY GMC	
MATRL.		DATE 6-14-01	
UNLESS OTHERWISE SPECIFIED DIM'S ARE IN INCHES X.X ±.03 X.XX ±.01 X.XXX ±.005 ANG. ±.5°		D.E. REVIEW	
		BY	DATE
Sensor Developments Inc. 1050 W SILVER BELL RD ORION, MI 48359		DRAWING NUMBER	
		18989B0-A	



Distributed by: Spare S.r.l.
Via Carlo Spagnolo, 4 - 27057 Varzi - Pavia - Italy
tel. +39-0383-54.51.51 - fax: +39-0383-54.50.51
http://www.spare.it - http://www.spareonweb.com
e-mail: sales@spare.it