

# Rotating Torque Sensors

## 01324 Series

### ROTARY SHAFT TORQUE SENSOR

These sensors are designed to measure rotating drive torque using a conventional shaft-to-shaft configuration for in-line placement. The design incorporates a coin silver slip ring assembly that transmits excitation voltage to, and output signals from, the rotating sensor. These sensors can be supplied with Auto-ID, which eliminates scaling when used with the PTI or PMAC 2000 instruments. An optical encoder to measure angle or speed is also available with this model.

### SPECIFICATIONS

Capacity ..... 50 in. oz. to 20,000 in.lb. (See chart)  
 Overload capacity ..... 150% of F.S.  
 Output at F.S. .... 2.0 mV/V nominal  
 Non-linearity ..... 0.10% of F.S.  
 Hysteresis ..... 0.10% of F.S.  
 Zero balance ..... 1.00% of F.S.  
 Compensated temperature ..... 70 to 170°F  
 Useable temperature ..... -65 to +250°F  
 Temperature effect on zero ..... 0.002% of F.S./°F  
 Temperature effect on span ..... 0.002% of Rdg./°F  
 Bridge resistance ..... 1000 Ohms  
 Excitation voltage, maximum ..... 20 Vdc  
 Maximum shaft speed ..... 5000 RPM\*

\*For faster shaft speeds and different end configurations, please contact the factory.

Mating connector supplied.

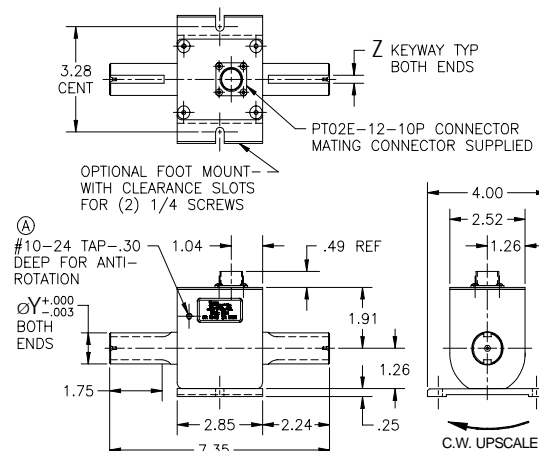
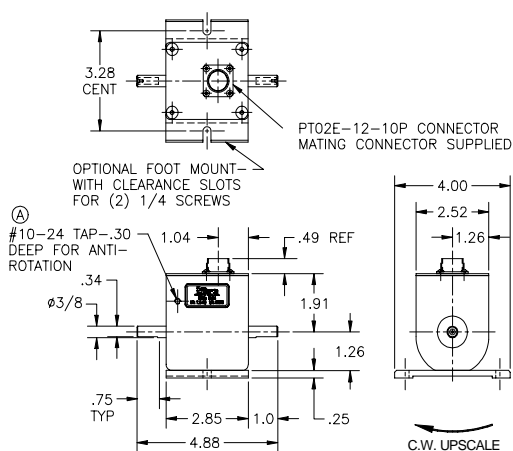


### OPTIONS

- 4 pin Bendix connector (non Auto-ID)
- 10 pin Bendix connector (Auto-ID)
- Integrated signal amplifier (+/-5V or +/-10V)
- Integral optical encoder - 1024 ppr and 1500 ppr (requires 10 pin connector)
- Footmount

### DIMENSIONS

MODEL	CAPACITY			SHAFT	KEY	MATERIAL
	IN-OZ.	IN-LBS	N-M			
01324-030	50	3	0.35	3/8"	1/32" flat	Stainless steel shafts/ Aluminum sensors
01324-060	100	6	0.71			
01324-120	200	12	1.41			
01324-310	500	30	3.53			
01324-620	1000	62	7.06			
01324-012	100	12	0.749	0.749	3/16"	Steel
01324-022	200	23				
01324-052	500	56				
01324-013	1000	113	0.999	0.999	1/4"	
01324-023	2000	226				
01324-053	5000	565	1.499	1.499	3/8"	
01324-014	10000	1130				
01324-153	15000	1700	1.749			
01324-024	20000	2260	1.749	1.749		



Distributed by: Spare S.r.l.  
 Via Carlo Spagnolo, 4 - 27057 Varzi - Pavia - Italy  
 tel. +39-0383-54.51.51 - fax: +39-0383-54.50.51  
<http://www.spare.it> - <http://www.spareonweb.com>  
 e-mail: sales@spare.it