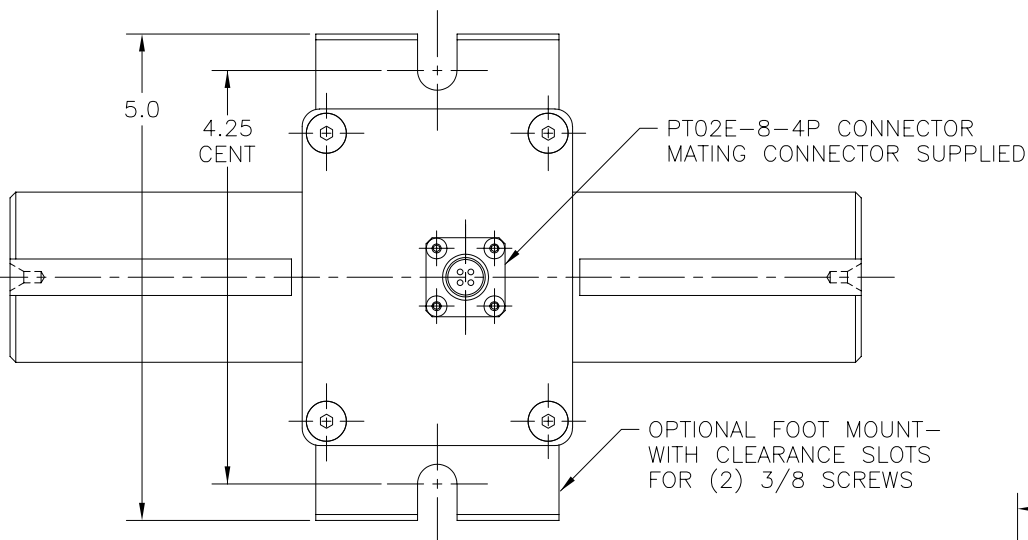


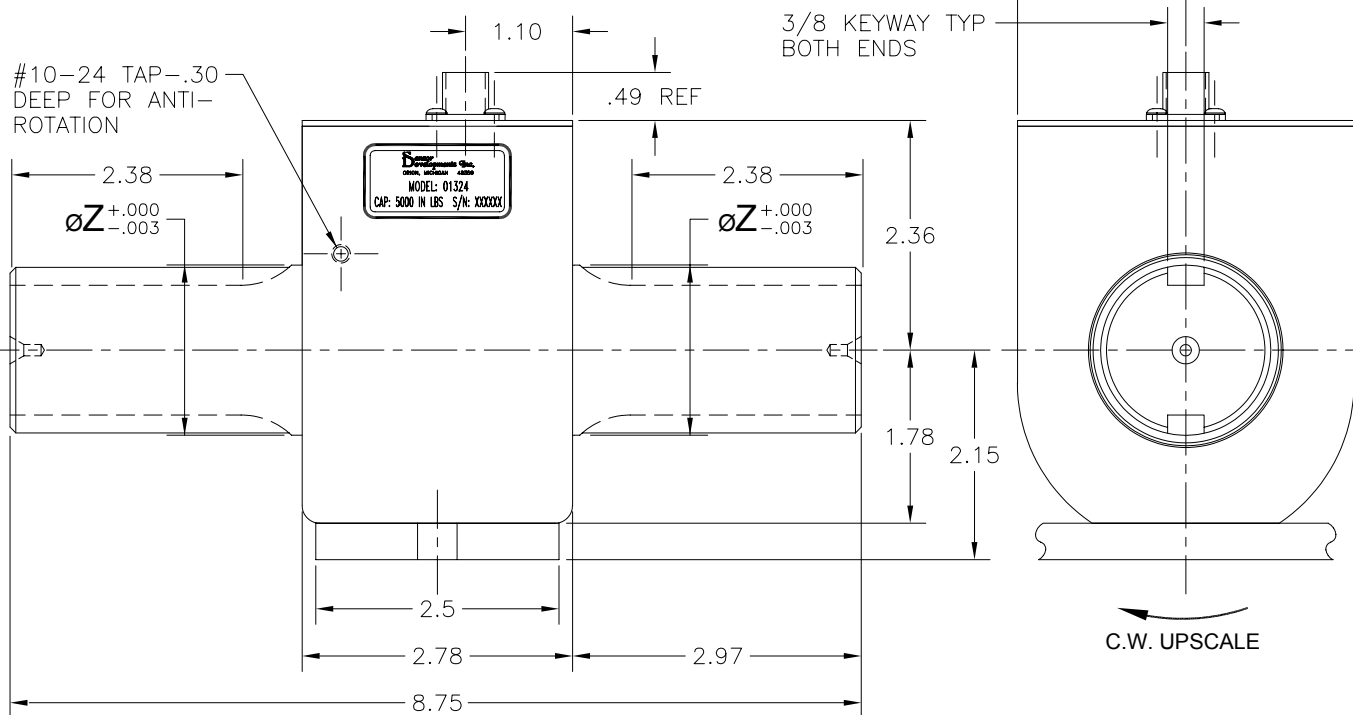
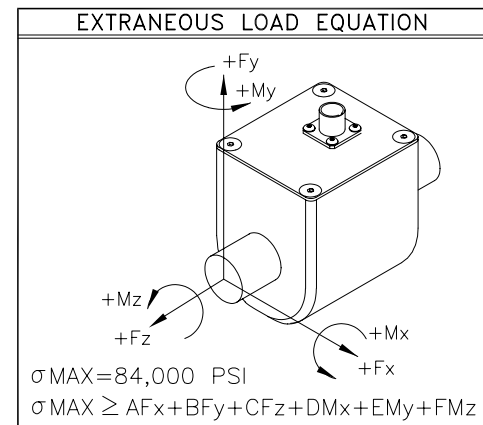
MODEL NO.	CAPACITY	EXTRANEOUS LOAD COEFFICIENTS				TORSIONAL SPRING RATE (IN#/RAD×10 ⁶)	øZ
		A&B	C	D&E	F		
01324-053	5,000 IN. LBS.	18.5	1.2	9.2	4.6	1.4	1.499
01324-014	10,000 IN. LBS.	9.2	.8	4.6	2.3	3.5	
01324-153	15,000 IN. LBS.	6.2	.6	3.1	1.5	6.0	1.749
01324-024	20,000 IN. LBS.	4.6	.5	2.3	1.2	8.8	

REV	DESCRIPTION	BY	DATE	CHK	ENG	REL DATE
-	REL. FOR PRODUCTION	-	-	-	-	11-5-04



NON-WESTERN
REGIONAL

PIN CODE	
PIN	FUNCTION
A	+ EXC.
B	- EXC.
C	+ SIG.
D	- SIG.



Distributed by: Spare S.r.l.
Via Carlo Spagnolo, 4 - 27057 Varzi - Pavia - Italy
tel. +39-0383-54.51.51 - fax: +39-0383-54.50.51
<http://www.spare.it> - <http://www.spareonweb.com>
e-mail: sales@spare.it

SPECIFICATIONS MODEL: 01324-XXX-FOBXX
CAPACITY _____ CHARTED
OUTPUT @ F.S. (mV/V NOM.) _____ 2.0
NON-LINEARITY (%F.S.O.) _____ .10
HYSTERESIS (%F.S.O.) _____ .10
BRIDGE RESISTANCE (OHM NOM.) _____ 1,000
OVERLOAD (TORQUE) _____ 150% F.S.
MAX RPM _____ 5,000

ASSEMBLY DWG REF: 19593D0-*
*-INDICATES CURRENT REV

INSTALLATION		CHECKED BY	—
MODEL: 01324-XXX-FOBXX		PROJ. ENG.	—
FINISH	SCALE FULL	DRAWN BY	GMC
MATRL.		DATE	11-4-04
UNLESS OTHERWISE SPECIFIED DIM'S ARE IN INCHES X.X ±.03 X.XX ±.01 X.XXX ±.005 ANG. ±.5°		D.E. REVIEW	
		BY	DATE
Sensor Developments Inc. 1050 W SILVER BELL RD ORION, MI 48359		DRAWING NUMBER	
		19594C0-0	