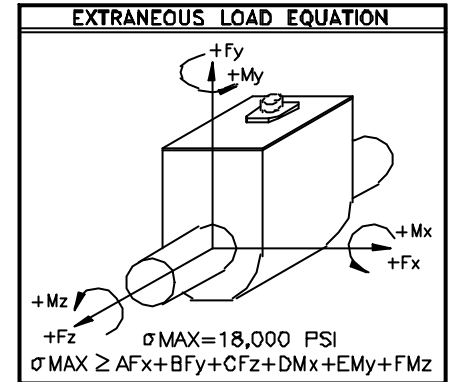


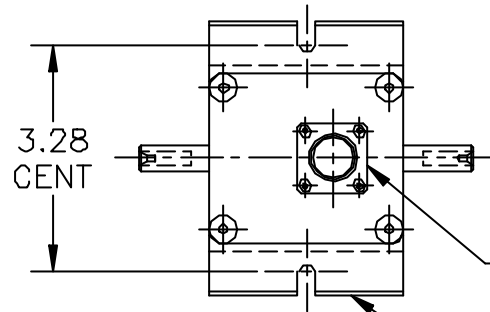
MODEL NO.	CAPACITY		EXTRANEOUS LOAD COEFFICIENTS				TORSIONAL SPRING RATE (IN#/RAD)
			A&B	C	D&E	F	
01324-030	3.125 IN. LBS.	50 IN. OZ.	1,030	56.7	223	4,300	182
01324-060	6.25 IN. LBS.	100 IN. OZ.	678	26.1	102	2,060	556
01324-120	12.5 IN. LBS.	200 IN. OZ.	435	18	70.5	997	1,660
01324-310	31.25 IN. LBS.	500 IN. OZ.	214	10.9	42.7	380	7,120
01324-620	62.5 IN. LBS.	1000 IN. OZ.	104	7.3	28.5	175	22,900

REV	DESCRIPTION	BY	DATE	CHK	ENG	REL DATE
A	ANTI-ROTATION HOLE ADDED	GMC	12-12-01	-	-	1-18-02



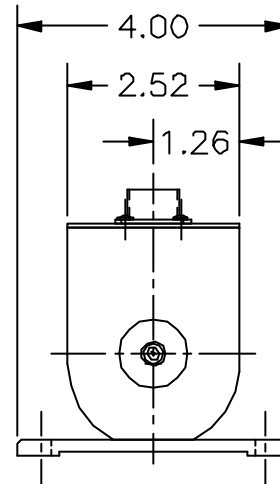
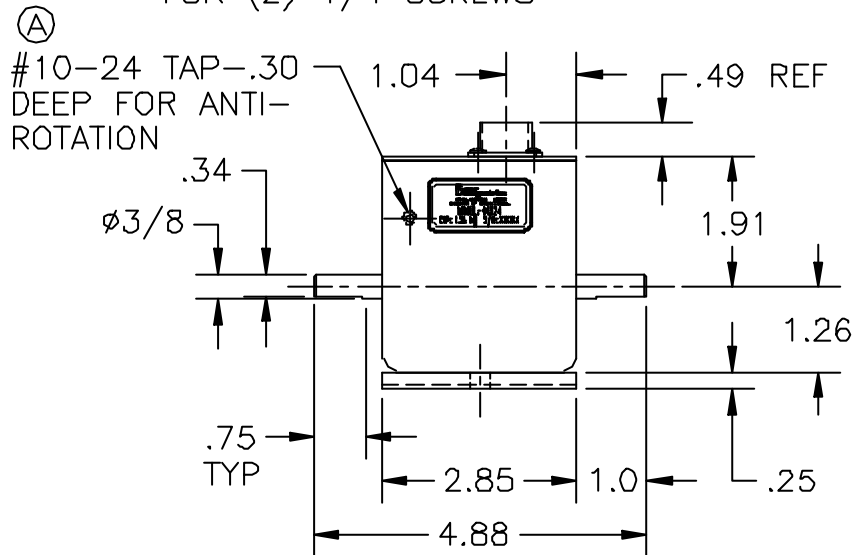
PIN CODE	
PIN	FUNCTION
A	+ EXC.
B	- EXC.
C	+ SIG.
D	- SIG.
E	GND
F	+5V
G	CW LEAD
H	CW TRAIL
J	GND
K	SIG

ENCODER
 AUTO ID



PT02E-12-10P CONNECTOR
 MATING CONNECTOR SUPPLIED

OPTIONAL FOOT MOUNT
 WITH CLEARANCE SLOTS
 FOR (2) 1/4 SCREWS



C.W. UPSCALE

SPECIFICATIONS MODEL: 01324-XXX-GA0XX
 CAPACITY _____ CHARTED
 OUTPUT @ F.S. (mV/V NOM.) _____ 2.0
 NON-LINEARITY (%F.S.O.) _____ .10
 HYSTERESIS (%F.S.O.) _____ .10
 BRIDGE RESISTANCE (OHM NOM.) _____ 1000
 OVERLOAD (TORQUE) _____ 150% F.S.
 MAX RPM _____ 5,000
 MAX TEMP RANGE _____ -40° TO +185°F
 POSITION ENCODER:
 TYPE _____ OPTICAL ENCODER
 RESOLUTION _____ 1024 PULSES/REV W/QUADRATURE
 ASSEMBLY DWG REF: 18982DO-*
 *-INDICATES CURRENT REV

INSTALLATION		CHECKED BY D.S.	
MODEL: 01324-XXX-GA0XX		PROJ. ENG. D.S.	
FINISH	SCALE 1/2	DRAWN BY GMC	
MATRL.		DATE 6-13-01	
UNLESS OTHERWISE SPECIFIED DIM'S ARE IN INCHES X.X ±.03 X.XX ±.01 X.XXX ±.005 ANG. ±.5°		D.E. REVIEW	
BY		DATE	
Sensor Developments Inc. ORION, MI 48359		DRAWING NUMBER	
1050 W SILVER BELL RD		18983B0-A	