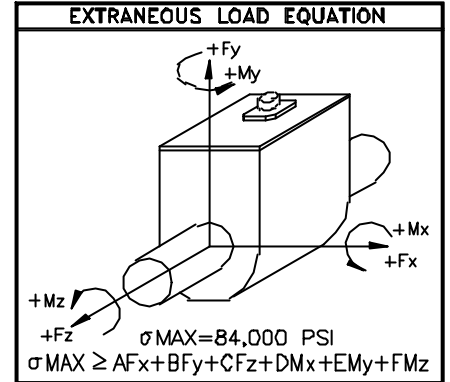


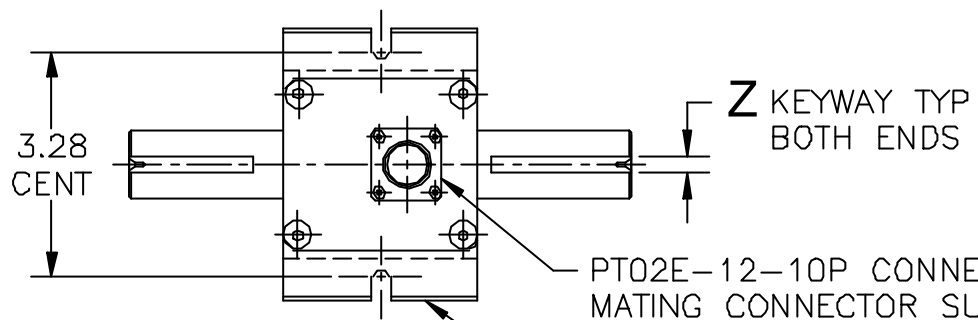
MODEL NO.	CAPACITY	EXTRANEOUS LOAD COEFFICIENTS				TORSIONAL SPRING RATE (IN#/RADx10 ³)	øY	Z NOM.
		A&B	C	D&E	F			
01324-012	100 IN. LBS.	724	79.5	517	431	6.9	.749	3/16
01324-022	200 IN. LBS.	363	31.6	259	216	17.3		
01324-052	500 IN. LBS.	145	9.3	103	86.1	59		
01324-013	1000 IN. LBS.	72.3	3.8	51.7	43.1	149	.999	1/4
01324-152	1500 IN. LBS.	55.1	2.8	37.4	33.6	281		
01324-023	2000 IN. LBS.	35.9	2.4	25.7	21.4	378		

REV	DESCRIPTION	BY	DATE	CHK	ENG	REL DATE
A	ANTI-ROTATION HOLE ADDED	GMC	12-12-01			- -



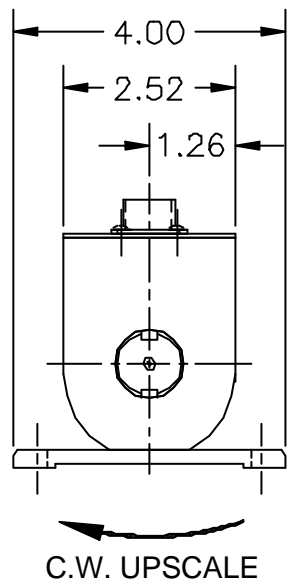
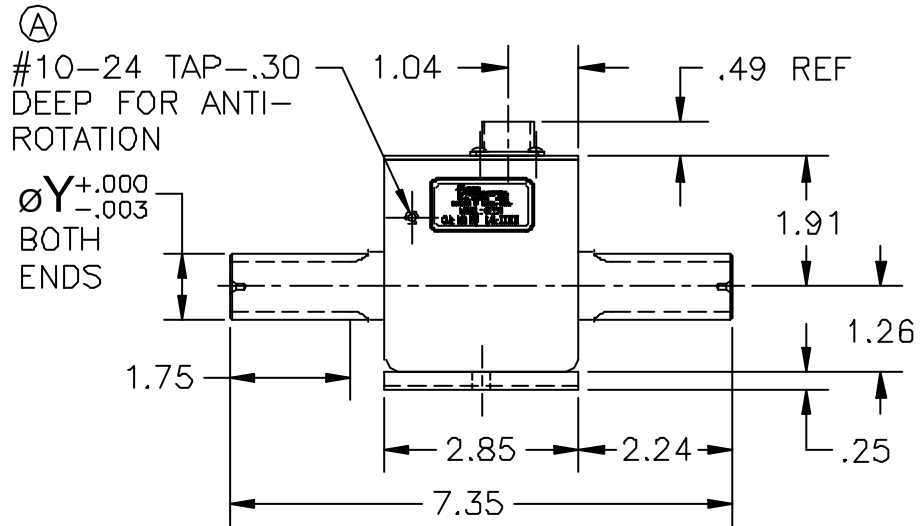
PIN CODE

PIN	FUNCTION
A	+ EXC.
B	- EXC.
C	+ SIG.
D	- SIG.
E	GND
F	+5V
G	CW LEAD
H	CW TRAIL
J	GND
K	SIG



ENCODER
 AUTO ID

OPTIONAL FOOT MOUNT WITH CLEARANCE SLOTS FOR (2) 1/4 SCREWS



SPECIFICATIONS MODEL: 01324-XXX-GAOXX

CAPACITY _____ CHARTED

OUTPUT @ F.S. (mV/V NOM.) _____ 2.0

NON-LINEARITY (%F.S.O.) _____ .10

HYSTERESIS (%F.S.O.) _____ .10

BRIDGE RESISTANCE (OHM NOM.) _____ 1000

OVERLOAD (TORQUE) _____ 150% F.S.

MAX RPM _____ 5,000

MAX TEMP RANGE _____ -40° TO +185°F

POSITION ENCODER:

TYPE _____ OPTICAL ENCODER

RESOLUTION _____ 1024 PULSES/REV W/QUADRATURE

ASSEMBLY DWG REF: 18899DO-*

*-INDICATES CURRENT REV

INSTALLATION		CHECKED BY	D.S.
MODEL: 01324-XXX-GAOXX		PROJ. ENG.	D.S.
FINISH	SCALE 1/2	DRAWN BY	GMC
MATRL.		DATE	2-1-01
UNLESS OTHERWISE SPECIFIED DIM'S ARE IN INCHES X.X ±.03 X.XX ±.01 X.XXX ±.005 ANG. ±.5°		D.E. REVIEW	
		BY	DATE
Sensor Developments Inc. ORION, MI 48359		DRAWING NUMBER	
		18900B0-A	