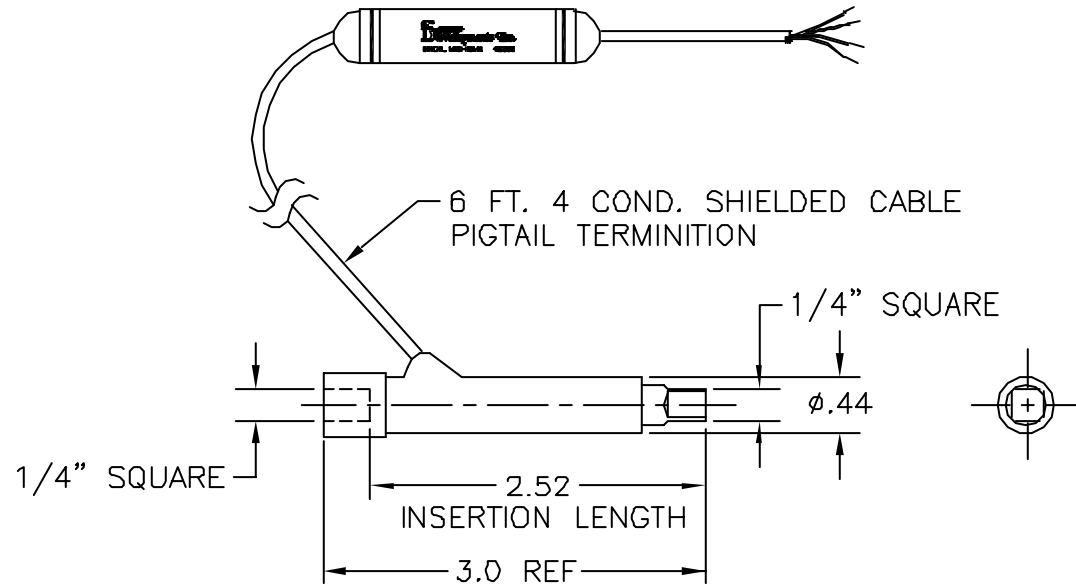


MODEL NO.	CAPACITY	OUTPUT
01190-250	25 IN. LBS.	1.0
01190-051	50 IN. LBS.	2.0

REV	DESCRIPTION	BY	DATE	CHK	ENG	REL DATE
-	REL. FOR PRODUCTION	-	-	-	-	5-14-93



ASSEMBLY DWG REF: 14965CX-\*  
 \*-INDICATES CURRENT REV

SPECIFICATIONS MODEL: 01190-XXX-B0000  
 CAPACITY-IN. LBS. NOM. \_\_\_\_\_ CHARTED  
 OUTPUT-mV/V NOM. @ F.S. \_\_\_\_\_ CHARTED

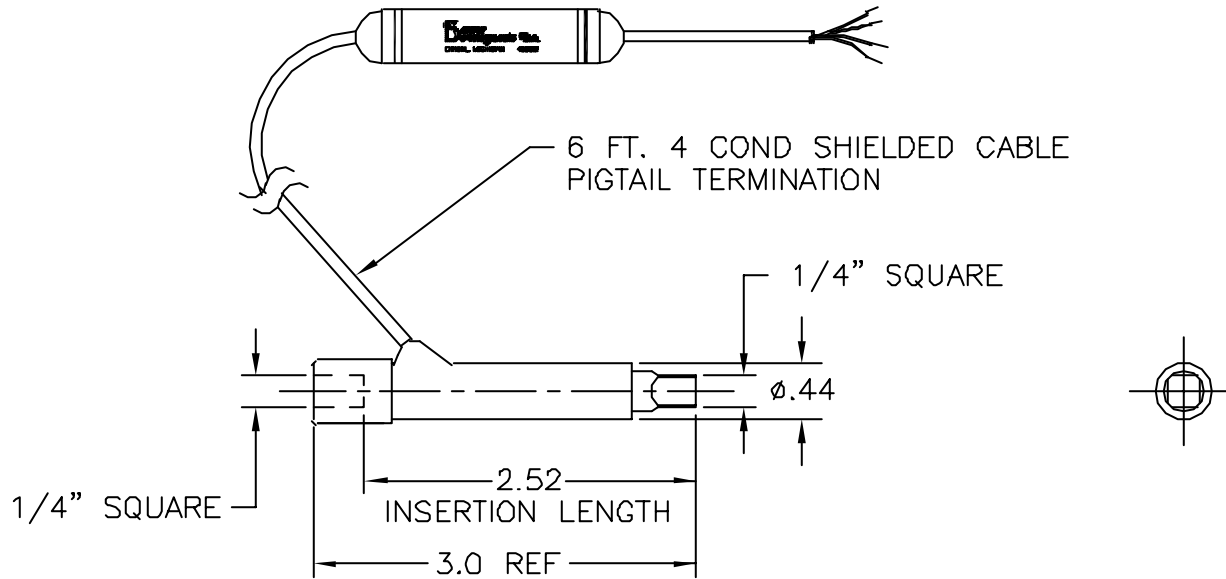
WIRING CODE	
COLOR	FUNCTION
RED	+ EXC.
GREEN	+ SIG.
WHITE	- SIG.
BLACK	- EXC.

INSTALLATION		CHECKED BY	J.R.
MODEL: 01190-XXX-B0000		PROJ. ENG.	J.R.
FINISH	SCALE FULL	DRAWN BY	GLK
MATRL.		DATE	7-28-92
UNLESS OTHERWISE SPECIFIED DIMENSIONS ARE IN INCHES X.X ±.03 X.XX ±.01 X.XXX ±.005 ANG. ±.5°			
Sensor Developments Inc. 1050 W SILVER BELL RD ORION, MI 48359		DRAWING NUMBER <b>14966B0-0</b>	



Distributed by: Spare S.r.l.  
 Via Carlo Spagnolo, 4 - 27057 Varzi - Pavia - Italy  
 tel. +39-0383-54.51.51 - fax: +39-0383-54.50.51  
<http://www.spare.it> - <http://www.spareonweb.com>  
 e-mail: sales@spare.it

REV	DESCRIPTION	BY	DATE	CHK	ENG	REL DATE
-	REL. FOR PRODUCTION	-	-	-	-	5-14-93



SPECIFICATIONS \_\_\_\_\_ MODEL: 01190-121  
 CAPACITY - IN. LBS. \_\_\_\_\_ 125  
 OUTPUT - mV/V NOM. @ F.S. \_\_\_\_\_ 2.0

WIRING CODE	
COLOR	FUNCTION
RED	+ EXC.
GREEN	+ SIG.
WHITE	- SIG.
BLACK	- EXC.

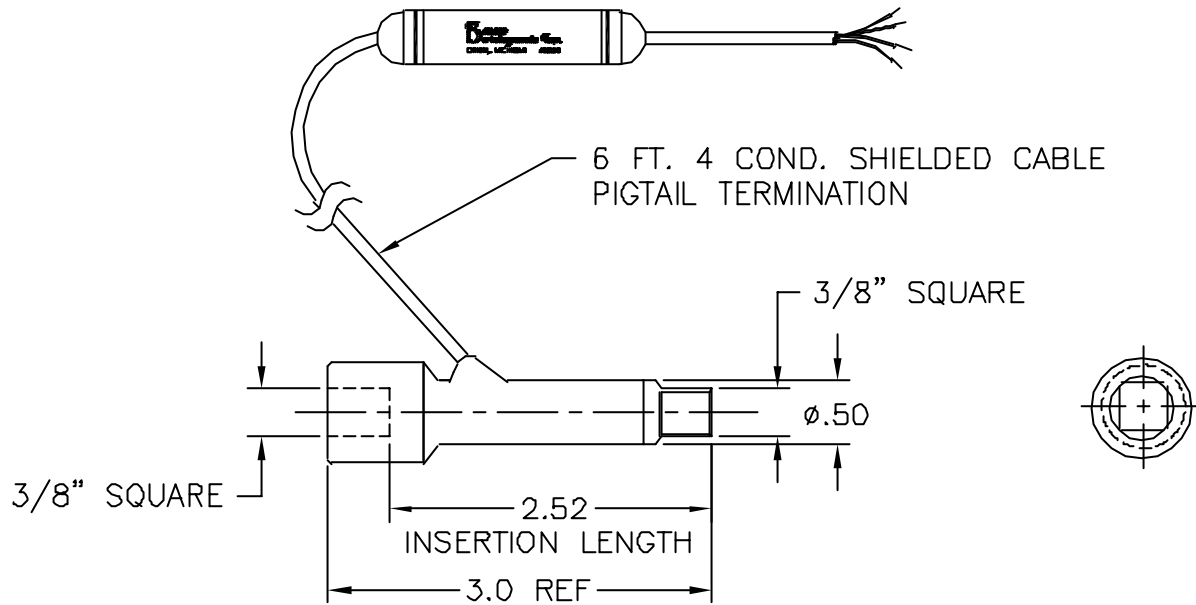
INSTALLATION		CHECKED BY
MODEL: 01190-121		J.R.
FINISH		PROJ. ENG. J.R.
SCALE FULL	DRAWN BY GLK	
MATRL.	DATE 7-28-92	
UNLESS OTHERWISE SPECIFIED DIMENSIONS ARE IN INCHES		
X.X ±.03 X.XX ±.01 X.XXX ±.005 ANG. ±.5°		
Sensor Developments Inc. 1050 W SILVER BELL RD ORION, MI 48359		DRAWING NUMBER
		14920B0-0



Distributed by: Spare S.r.l.  
 Via Carlo Spagnolo, 4 - 27057 Varzi - Pavia - Italy  
 tel. +39-0383-54.51.51 - fax: +39-0383-54.50.51  
<http://www.spare.it> - <http://www.spareonweb.com>  
 e-mail: sales@spare.it

MODEL NO.	CAPACITY	OUTPUT
01190-022	200 IN LBS	1.5
01190-062	600 IN LBS	3.0

REV	DESCRIPTION	BY	DATE	CHK	ENG	REL DATE
-	REL. FOR PRODUCTION	-	-	-	-	4-12-93



ASSEMBLY DWG REF: 14928CX-\*  
 \*-INDICATES CURRENT REV

SPECIFICATIONS \_\_\_\_\_ MODEL: 01190-XXX  
 CAPACITY - IN. LBS. \_\_\_\_\_ CHARTED  
 OUTPUT - mV/V NOM. @ F.S. \_\_\_\_\_ CHARTED

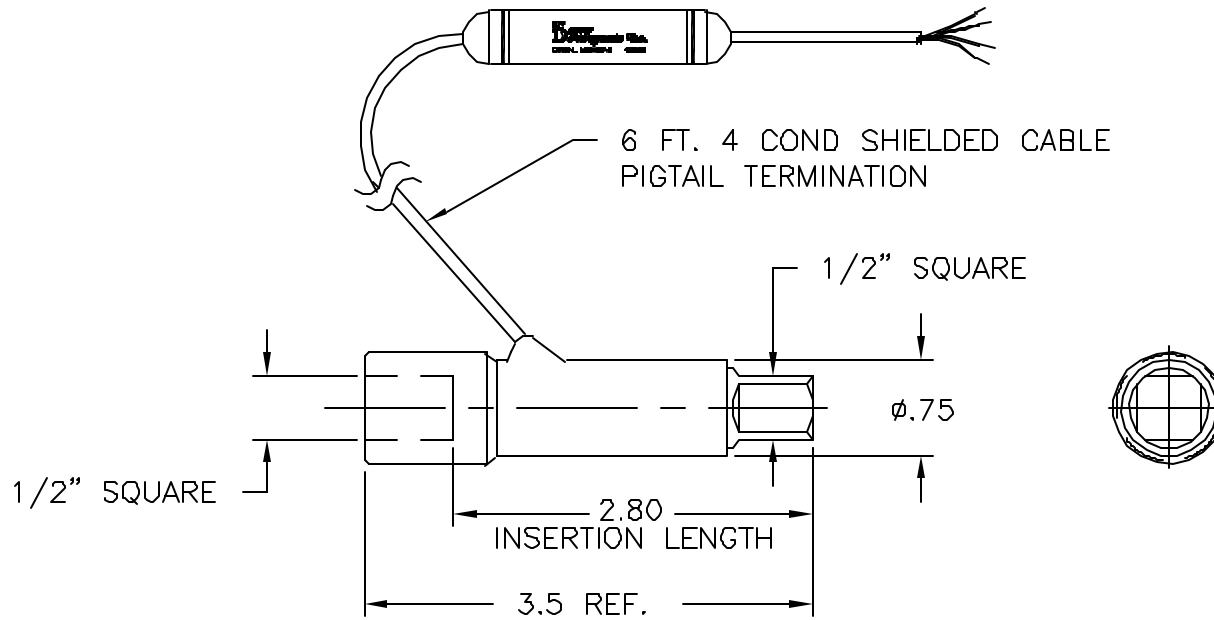
WIRING CODE	
COLOR	FUNCTION
RED	+ EXC.
GREEN	+ SIG.
WHITE	- SIG.
BLACK	- EXC.

INSTALLATION MODEL: 01190-XXX		CHECKED BY J.R.
FINISH _____ SCALE FULL		PRQJ. ENG. J.R.
MATRL _____		DRAWN BY GLK
UNLESS OTHERWISE SPECIFIED DIMENSIONS ARE IN INCHES X.X ±.03 X.XX ±.01 X.XXX ±.005 ANG. ±.5°		DATE 7-28-92
Sensor Developments Inc. 1050 W SILVER BELL RD ORION, MI 48359		DRAWING NUMBER <b>14923B0-0</b>



Distributed by: Spare S.r.l.  
 Via Carlo Spagnolo, 4 - 27057 Varzi - Pavia - Italy  
 tel. +39-0383-54.51.51 - fax: +39-0383-54.50.51  
<http://www.spare.it> - <http://www.spareonweb.com>  
 e-mail: sales@spare.it

REV	DESCRIPTION	BY	DATE	CHK	ENG	REL DATE
A	ADDED LABEL	KKB	11-5-92	MA	MA	4-8-93



SPECIFICATIONS MODEL: 01190-242, 152

CAPACITY - IN. LBS. \_\_\_\_\_ 2400, 1500

OUTPUT - mV/V NOM. @ F.S. \_\_\_\_\_ 3.0

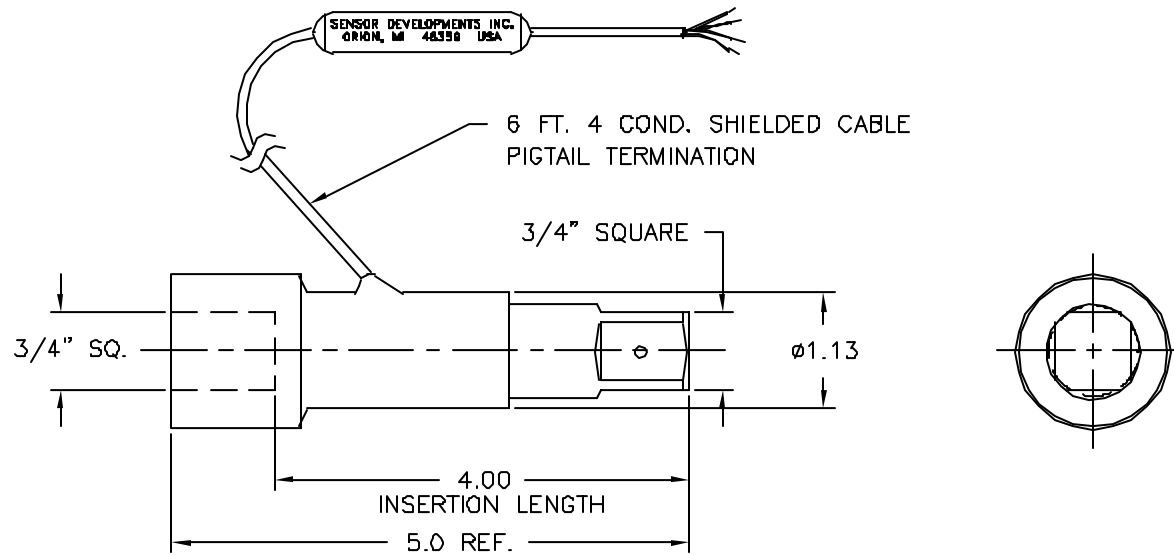
WIRING CODE	
COLOR	FUNCTION
RED	+ EXC.
GREEN	+ SIG.
WHITE	- SIG.
BLACK	- EXC.

INSTALLATION		CHECKED BY J.R.
MODEL: 01190-XXX		PROJ. ENG. J.R.
FINISH	SCALE FULL	DRAWN BY GLK
MATRL.		DATE 7-28-92
UNLESS OTHERWISE SPECIFIED DIMENSIONS ARE IN INCHES X.X ±.03 X.XX ±.01 X.XXX ±.005 ANG. ±.5°		
Sensor Developments Inc. 1050 W SILVER BELL RD ORION, MI 48359		DRAWING NUMBER <b>14926B0-A</b>



Distributed by: Spare S.r.l.  
Via Carlo Spagnolo, 4 - 27057 Varzi - Pavia - Italy  
tel. +39-0383-54.51.51 - fax: +39-0383-54.50.51  
<http://www.spare.it> - <http://www.spareonweb.com>  
e-mail: sales@spare.it

REV	DESCRIPTION	BY	DATE	CHK	ENG	REL DATE
-	REL. FOR PRODUCTION	-	-	-	-	6-28-93



SPECIFICATIONS MODEL: 01190-063  
 CAPACITY - IN LBS. 6000  
 OUTPUT - mV/V NOM. @ F.S. 3.0

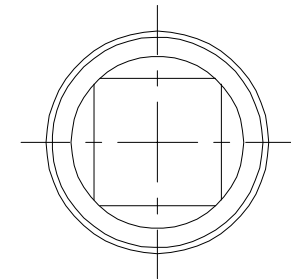
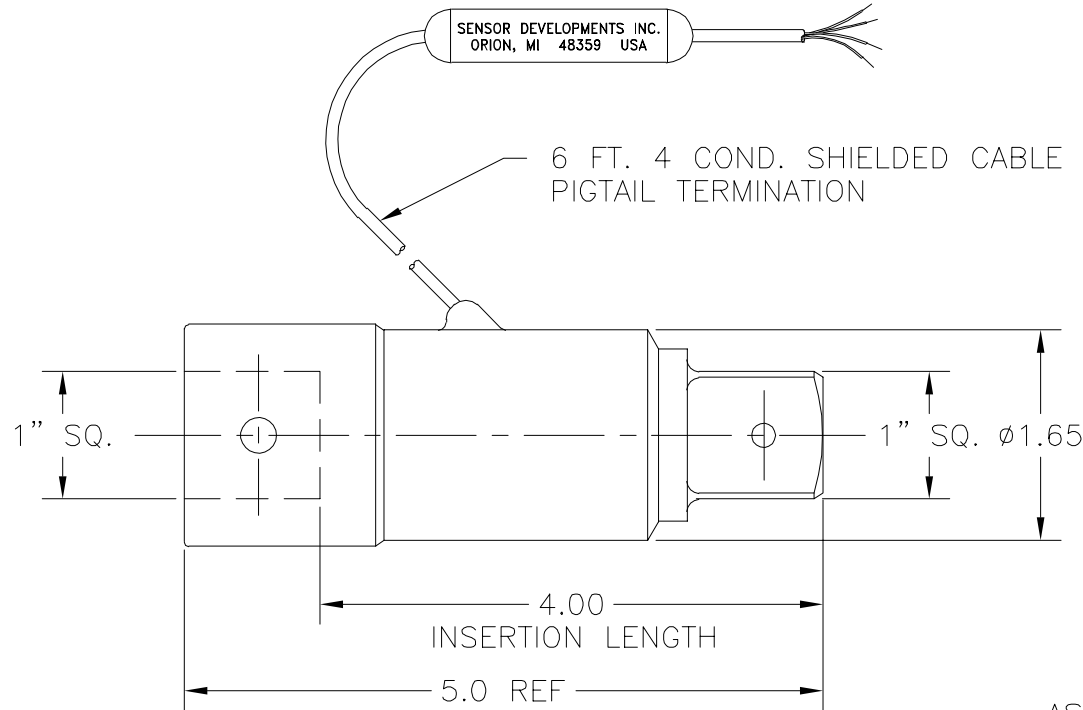
WIRING CODE	
COLOR	FUNCTION
RED	+ EXC.
GREEN	+ SIG.
WHITE	- SIG.
BLACK	- EXC.

INSTALLATION		CHECKED BY
MODEL: 01190-063		J.R.
FINISH		PROJ. ENG. J.R.
SCALE FULL		DRAWN BY GLK
MATRL.		DATE 7-28-92
UNLESS OTHERWISE SPECIFIED DIMENSIONS ARE IN INCHES		
XX ±.03 XXX ±.01 XXXX ±.005 ANG. ±.5°		
Sensor Developments Inc. 1050 W SILVER BELL RD ORION, NI 48359		DRAWING NUMBER
		14929B0-0



Distributed by: Spare S.r.l.  
 Via Carlo Spagnolo, 4 - 27057 Varzi - Pavia - Italy  
 tel. +39-0383-54.51.51 - fax: +39-0383-54.50.51  
<http://www.spare.it> - <http://www.spareonweb.com>  
 e-mail: sales@spare.it

REV	DESCRIPTION	BY	DATE	CHK	ENG	REL DATE
-	REL. FOR PRODUCTION	-	-	-	-	11-14-94
A	AUTO ID OPTION REMOVED	GMC	10-3-97	-	-	10-6-98



ASSEMBLY DWG REF: 14928DX-\*  
 \*-INDICATES CURRENT REV

SPECIFICATIONS MODEL: 01190-123-B0000  
 CAPACITY (IN. LBS.) F.S. 12,000  
 OUTPUT (mV/V) NOM., F.S. 2.2

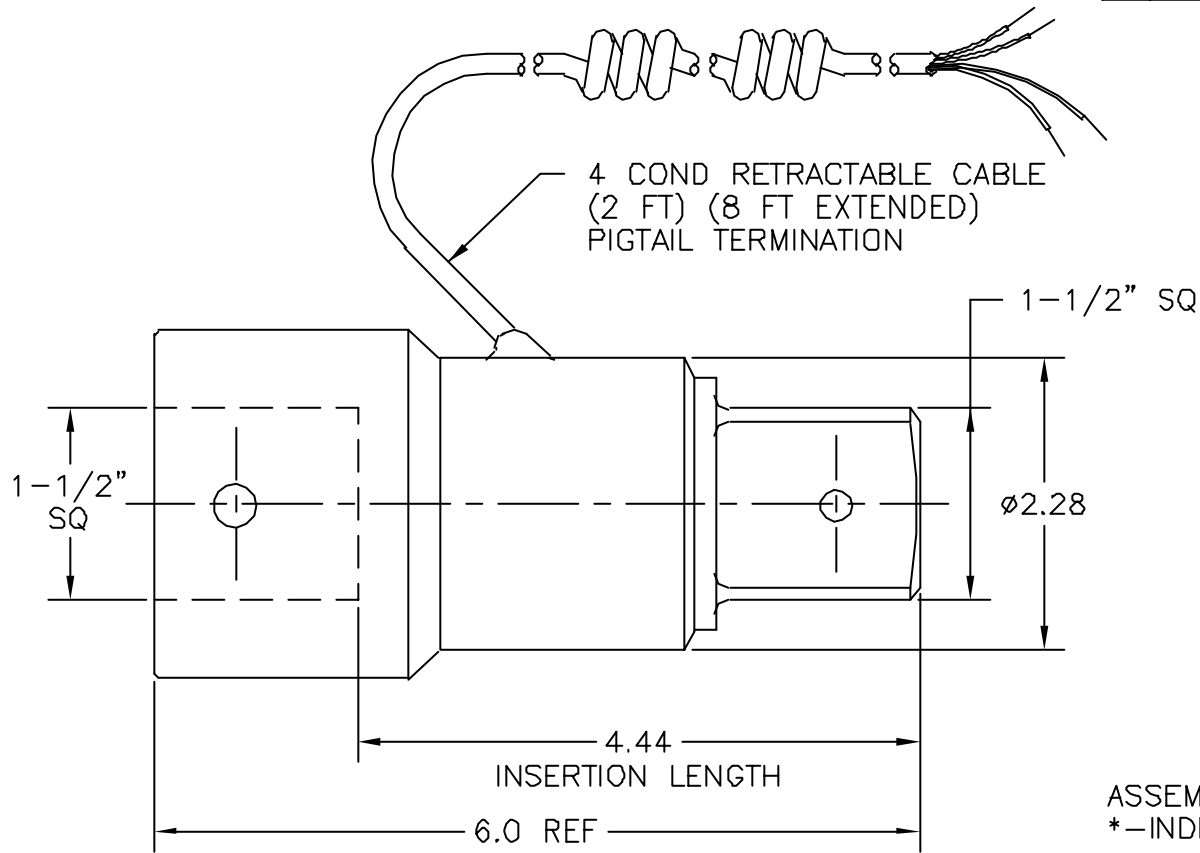
WIRING CODE	
COLOR	FUNCTION
RED	+ EXC.
YELLOW	+ SIG.
WHITE	- SIG.
BLACK	- EXC.

INSTALLATION		CHECKED BY	RMK
MODEL: 01190-123-B0000		PROJ. ENG.	RMK
FINISH	SCALE FULL	DRAWN BY	GMC
MATRL.		DATE	11-8-94
UNLESS OTHERWISE SPECIFIED DIM'S ARE IN INCHES X.X ±.03 X.XX ±.01 X.XXX ±.005 ANG. ±.5'		D.E. REVIEW	
		BY	DATE
Sensor Developments Inc. 1050 W SILVER BELL RD ORION, MI 48359		DRAWING NUMBER	
		16389B0-A	



Distributed by: Spare S.r.l.  
 Via Carlo Spagnolo, 4 - 27057 Varzi - Pavia - Italy  
 tel. +39-0383-54.51.51 - fax: +39-0383-54.50.51  
<http://www.spare.it> - <http://www.spareonweb.com>  
 e-mail: sales@spare.it

REV	DESCRIPTION	BY	DATE	CHK	ENG	REL DATE
-	REL. FOR PRODUCTION	-	-	-	-	5-16-00



ASSEMBLY DWG REF: 14928DX-\*  
 \*-INDICATES CURRENT REV

SPECIFICATIONS MODEL: 01190-483-B000A  
 CAPACITY (IN. LBS.) F.S. ————— 48,000  
 OUTPUT (mV/V) NOM., F.S. ————— 2.4

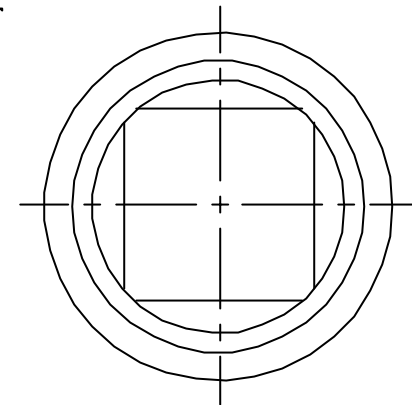
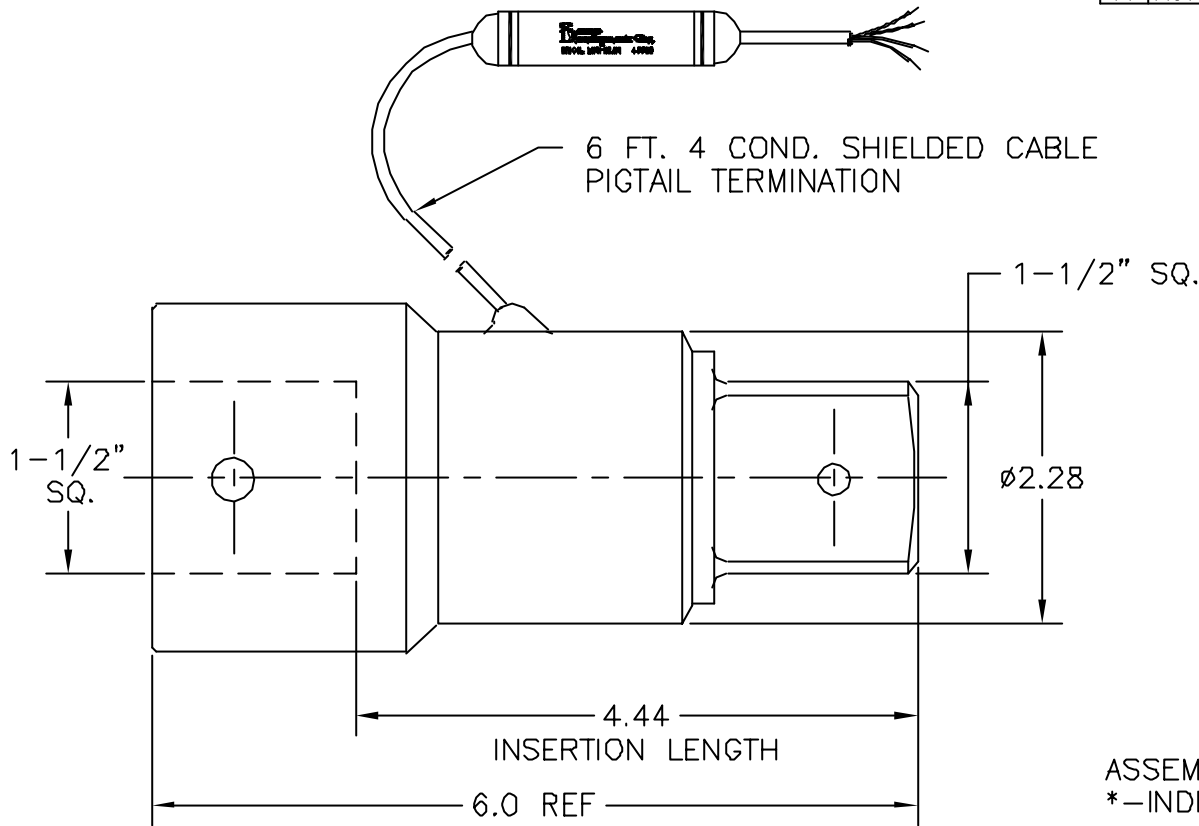
WIRING CODE	
COLOR	FUNCTION
RED	+ EXC.
YELLOW	+ SIG.
WHITE	- SIG.
BLACK	- EXC.

INSTALLATION		CHECKED BY	D.S.
MODEL: 01190-483-B000A		PROJ. ENG.	D.S.
FINISH	SCALE FULL	DRAWN BY	GMC
MATRL.	DATE		5-16-00
UNLESS OTHERWISE SPECIFIED DIM'S ARE IN INCHES		D.E. REVIEW	
X.X ±.03 X.XX ±.01 X.XXX ±.005 ANG. ±.5°		BY	DATE
Sensor Developments Inc. 1050 W SILVER BELL RD ORION, MI 48359		DRAWING NUMBER	
		18678B0-0	



Distributed by: Spare S.r.l.  
 Via Carlo Spagnolo, 4 - 27057 Varzi - Pavia - Italy  
 tel. +39-0383-54.51.51 - fax: +39-0383-54.50.51  
<http://www.spare.it> - <http://www.spareonweb.com>  
 e-mail: sales@spare.it

REV	DESCRIPTION	BY	DATE	CHK	ENG	REL DATE
-	REL. FOR PRODUCTION	-	-	-	-	11-14-94
A	AUTO ID OPTION REMOVED	GMC	10-3-97	-	-	10-17-05



ASSEMBLY DWG REF: 14928DX-\*  
 \*-INDICATES CURRENT REV

SPECIFICATIONS MODEL: 01190-843-B0000  
 CAPACITY (IN. LBS.) F.S. 84,000  
 OUTPUT (mV/V) NOM., F.S. 2.8

WIRING CODE	
COLOR	FUNCTION
RED	+ EXC.
YELLOW	+ SIG.
WHITE	- SIG.
BLACK	- EXC.

INSTALLATION		CHECKED BY	RMK
MODEL: 01190-843-B0000		PROJ. ENG.	RMK
FINISH	SCALE FULL	DRAWN BY	GMC
MATRL.		DATE	11-8-94
UNLESS OTHERWISE SPECIFIED DIM'S ARE IN INCHES X.X ±.03 X.XX ±.01 X.XXX ±.005 ANG. ±.5°		D.E. REVIEW	
BY		DATE	
DRAWING NUMBER		16390B0-A	



Distributed by: Spare S.r.l.  
 Via Carlo Spagnolo, 4 - 27057 Varzi - Pavia - Italy  
 tel. +39-0383-54.51.51 - fax: +39-0383-54.50.51  
<http://www.spare.it> - <http://www.spareonweb.com>  
 e-mail: sales@spare.it