

Reaction Torque Sensors

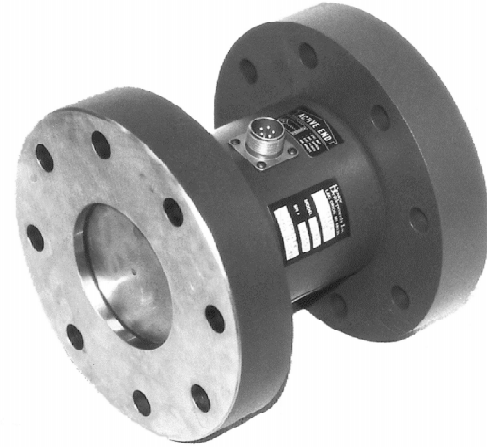
01165-01171

FLANGE TORQUE SENSOR

Because non-accelerating systems must have equal reactions to actions produced, it is often possible to measure output torque by measuring reaction forces acting on the device's housing. This sensor is ideal for measuring reaction or restraining torque in motor, pump, and fixture mounts. These hollow sensors are well suited for limited rotation applications.

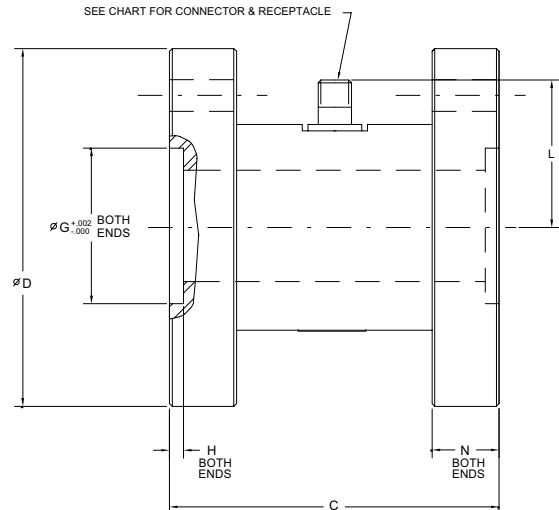
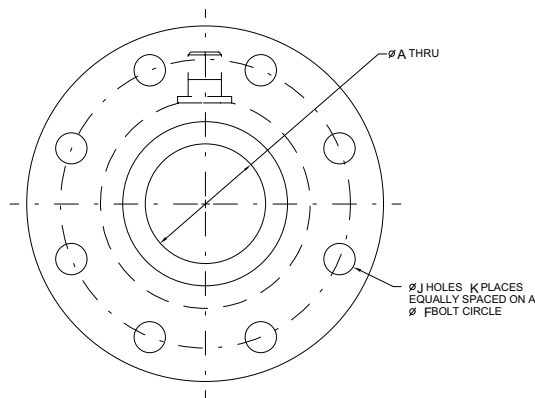
SPECIFICATIONS

Capacity.....50 to 200,000 in.lb. (See chart)
 Overload capacity.....150% of F.S.
 Output at F.S..... 2.0 mV/V nominal
 Non-linearity..... 0.10% of F.S.
 Hysteresis.....0.10% of F.S.
 Zero balance.....1.00% of F.S.
 Compensated temperature.....70 to 170°F
 Useable temperature.....-65 to +250°F
 Temperature effect on zero.....0.002% of F.S./°F
 Temperature effect on span.....0.002% of Rdg./°F
 Bridge resistance.....700/350 Ohms
 Excitation voltage, maximum.....20 Vdc



DIMENSIONS

MODEL	CAPACITY		DIMENSIONS (Inches)										QTY	MATL
	NM	IN LBS	A	C	D	F	G	H	N	J	L	K		
01165-051	6	50										4	ALUM	
01165-012	11	100										6 FT OF CABLE		
01166-022	23	200	.62	2.25	3.00	2.50	1.25	.13	.38	.27				
01166-052	57	500										6 FT OF CABLE		
01166-013	113	1000												
01167-051	6	50										8		
01167-012	11	100												
01167-022	23	200			4.50	3.62		.25	.56		1.98			
01167-052	57	500	3.00				1.75			.34				
01167-013	113	1000												
01168-023	226	2000	1.50		4.00	3.25		.13	.50		6 FT OF CABLE	8		
01168-352	395	3500												
01169-053	565	5000		3.50	5.00	4.25	2.00	.25	.75	.39	1.98			
01169-014	1130	10000												
01170-153	1695	15000												
01170-024	2260	20000												
01170-034	3390	30000		7.38	8.00	6.50	3.50			.64	2.78		STEEL	
01170-044	4520	40000	2.00					.31	1.50					
01170-054	5650	50000												
01171-015	11300	100000												
01171-184	19775	175000		8.50	9.75	8.00	4.00			.77	3.36			
01171-025	22600	200000	3.00											



Distributed by: Spare S.r.l.
 Via Carlo Spagnolo, 4 - 27057 Varzi - Pavia - Italy
 tel. +39-0383-54.51.51 - fax: +39-0383-54.50.51
<http://www.spare.it> - <http://www.spareonweb.com>
 e-mail: sales@spare.it