

REV	DESCRIPTION	BY	DATE	CHK	ENG	REL DATE
A	REDRAWN ON CAD;	GMC	4-19-95	DS	DS	4-20-95
	MODEL #01036-013 ADDED					

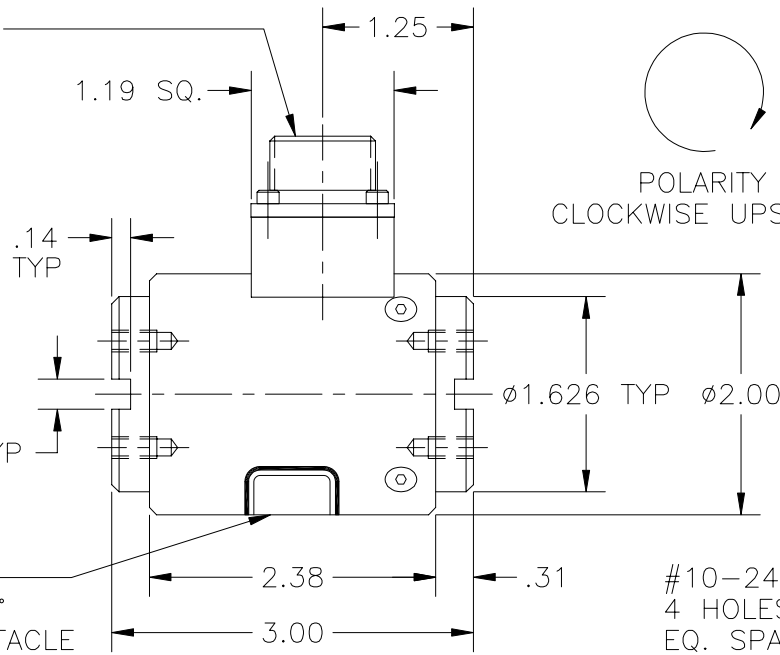
MS-3102E-14S-5P

PIN CODE	
PIN	FUNCTION
A	+ EXC.
B	+ SIG.
C	- SIG.
D	- EXC.
E	N/C

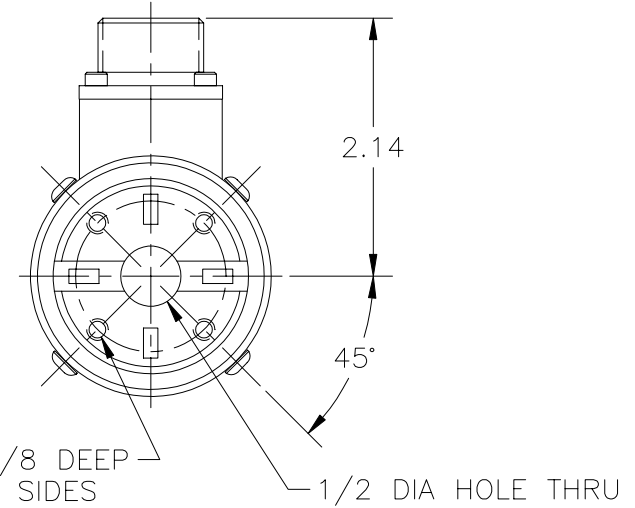
MATING CONNECTOR SUPPLIED

.252±.001 CENT TYP

LABEL LOCATED 180° FROM RECEPTACLE



POLARITY CLOCKWISE UPSCALE



#10-24 TAP-3/8 DEEP
4 HOLES-BOTH SIDES
EQ. SPACED ON A 1.250 B.C.

SPECIFICATIONS MODEL: 01036-XXX-C000X
 OUTPUT @ F.S. (mV/V) _____ CHARTED
 CAPACITY _____ CHARTED
 NON-LINEARITY (OF RATED OUTPUT) _____ ±.1%
 HYSTERESIS (OF RATED OUTPUT) _____ ±.1%
 ZERO BALANCE (OF RATED OUTPUT) _____ ±1.0%
 TEMP. RANGE (COMPENSATED) _____ +70 TO +170°F
 TEMP. RANGE (USEABLE) _____ -65 TO +200°F

ASSEMBLY DWG REF: 11054B0-*
*-INDICATES CURRENT REV

01036-013-C0000	2.0	1,000 IN. LBS.
01036-052-C0000		500 IN. LBS.
01036-022-C0000		200 IN. LBS.
01036-012-C0000		100 IN. LBS.
01036-012-C000A	1.5	100 IN. LBS.
MODEL NO.	OUTPUT	CAPACITY

INSTALLATION		CHECKED BY	—
MODEL: 01036-XXX-C000X		PROJ. ENG.	—
FINISH	SCALE FULL	DRAWN BY	D.S.
MATRL.		DATE	8-29-84
UNLESS OTHERWISE SPECIFIED DIMENSIONS ARE IN INCHES X.X ±.03 X.XX ±.01 X.XXX ±.005 ANG. ±.5°			
Sensor Developments Inc. ORION, MI 48359		DRAWING NUMBER 11053B0-A	



Distributed by: Spare S.r.l.
 Via Carlo Spagnolo, 4 - 27057 Varzi - Pavia - Italy
 tel. +39-0383-54.51.51 - fax: +39-0383-54.50.51
 http://www.spare.it - http://www.spareonweb.com
 e-mail: sales@spare.it