



**Features**

- Motorised driving
- Rugged construction
- Capacity Up to 650 N (140 lbf, 65kgf)
- Multiple operation mode
- Three-stage programmable cycle
- Teaching & Playback programming
- Force gauge data integration
- USB connect to PC
- Multiple limit protection functions

**Specifications**

- Capacity**  
650 N (65 kg, 140 lbf)
- Stroke**  
220 mm
- Speed**  
Adjustable Range: 3~720 mm/min  
Resolution: 0.1 mm/min  
Accuracy: ±1 mm/min
- Displacement**  
Resolution: 0.01 mm.  
Accuracy: ±0.2 mm
- Operation Mode**  
Manual, Cycle, Demo, Locating Move
- Protection Functions**  
Position Limit  
Force Limit (connected to force gauge)  
Locked-rotor  
Power Protection
- Cycle Program**  
Three-stage cycle  
Displacement-based (D-cycle)  
Force-based (F-cycle)
- Outputs**  
USB-B (connect to PC)  
Rs232 outputs  
Set point output,  
Rs232 (connect with force gauge)  
DC Supply: DC5V, 0.5A (USB-A, to Force Gauge)
- Operating Environment**  
0 to 40°C, 20 to 80% RH
- Power Supply**  
AC 100~240V, 1A
- Dimensions**  
630X320X180mm (EST-FG2V)  
640X125X278mm (EST-FG2H)
- Weight**  
approx 13kg

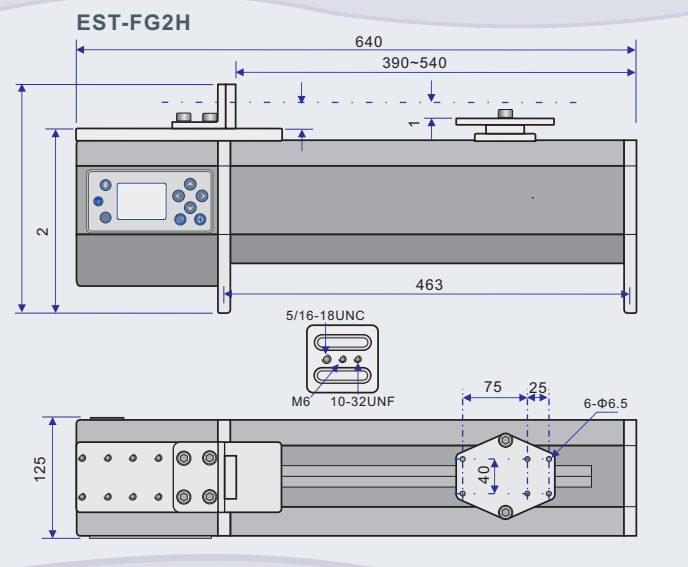
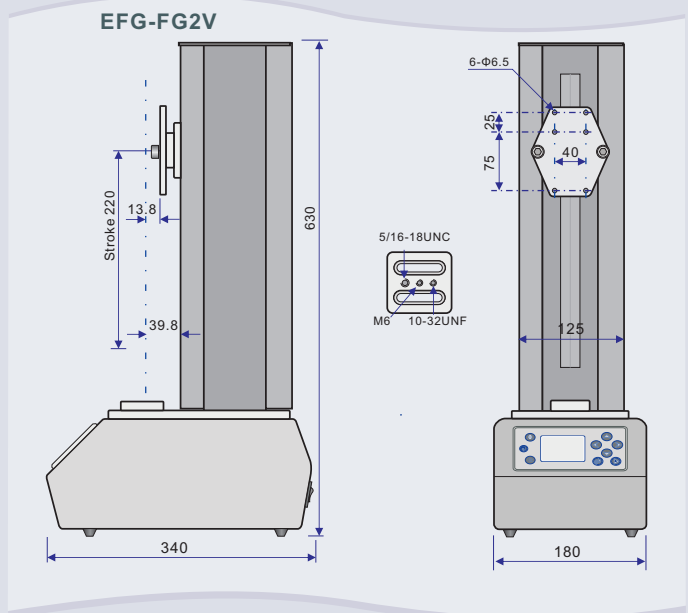


**Distributed by: Spare S.r.l.**  
Via Carlo Spagnolo, 4 - 27057 Varzi - Pavia - Italy  
tel. +39-0383-54.51.51 - fax: +39-0383-54.50.51  
<http://www.spare.it> - <http://www.spareonweb.com>  
e-mail: [sales@spare.it](mailto:sales@spare.it)



EST-FG2H  
(Horizontal)

EST-FG2V  
(Vertical)



**Communication Interface**

